

Ankersmid Check Valves

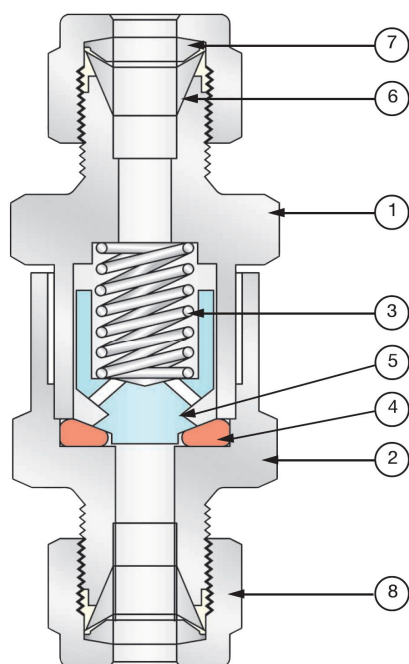
PANAM 'PCV' series

Application

Check Valves are specially designed & manufactured for flow control of fluids and gases in corrosive & hazardous environment. These valves are used in Process control, instrumentation and flow control applications.

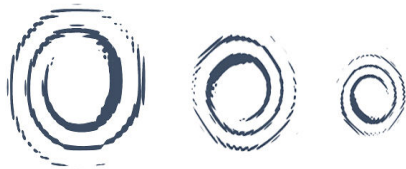
Valves are precision machined with designer durability and maximum efficiency to provide high quality and low cost alternatives in fluid and gaseous control systems of different applications, to meet the exact standards of our customers growing demands.

Construction material

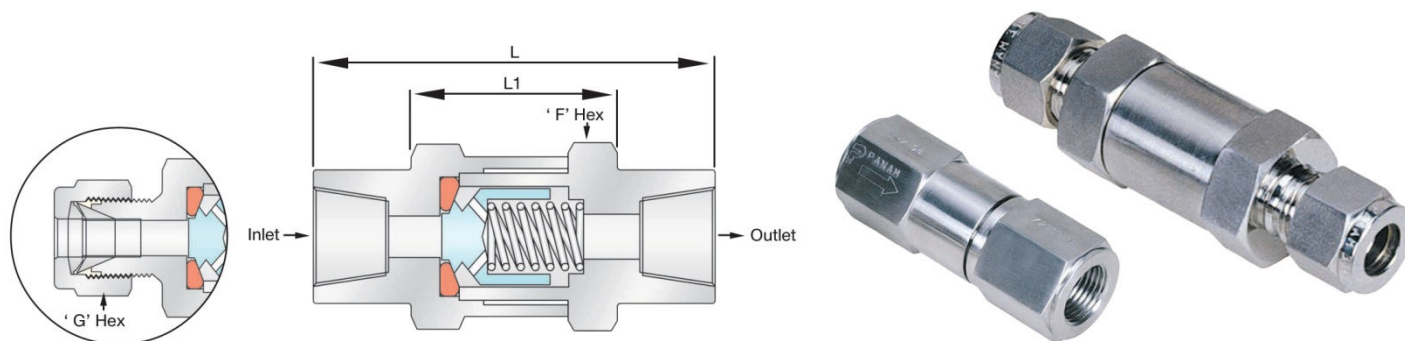


- Available in high-grade
- Stainless steel & bass materials
- Variety of end connections includes male/female threaded NPT, BSP, BSPT, ISO, DIN and JIS tapered pipe ends.
- 100% factory-tested for both crack & reseal
- Complete heat traceability

Part	#	Material
1 Body (Outlet)	1	A479-316 S.S. / Alloy B16, Copper Alloy # 360
2 Body (Inlet)	1	A479-316 S.S. / Alloy B16, Copper Alloy # 360
3 Spring	1	302 S.S. / A313
4 O-ring	1	VITON [®] / BUNA N
5 Poppet	1	A479-316 S.S. / Alloy B16, Copper Alloy # 360
6 Back Ferrule	1	316 S.S. / Alloy B16, Copper Alloy # 360
7 Front Ferrule	1	316 S.S. / Alloy B16, Copper Alloy # 360
8 Nut	1	316 S.S. / Alloy B16, Copper Alloy # 360

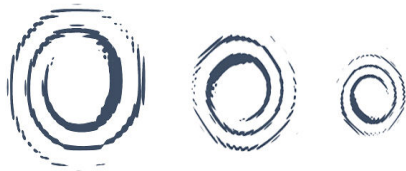


Check valve dimensions



Part No	Inlet	Outlet	L	L1	F Hex	G Hex
PCV-02-SS-OD	1/8" OD	1/8" OD	68.50	33.50	19.00	11.00
PCV-02-SS-FF	1/8" Female NPT	1/8" Female NPT	50.00	33.50	19.00	
PCV-02-SS-MM	1/8" Male NPT	1/8" Male NPT	53.50	33.50	19.00	
PCV-M06-SS-OD	6mm OD	6mm OD	72.00	33.50	19.00	14.00
PCV-04-SS-OD	1/4" OD	1/4" OD	72.00	33.50	19.00	14.00
PCV-04-SS-FF	1/4" Female NPT	1/4" Female NPT	60.00	33.50	19.00	
PCV-04-SS-MM	1/4" Male NPT	1/4" Male NPT	62.50	33.50	19.00	
PCV-04-04-SS-MOD	1/4" Male NPT	1/4" OD	66.00	33.50	19.00	14.00
PCV-04-M06-SS-MOD	1/4" Male NPT	6mm OD	66.00	33.50	19.00	14.00
PCV-M08-SS-OD	8mm OD	8mm OD	72.00	33.50	19.00	16.00
PCV-06-SS-OD	3/8" OD	3/8" OD	73.50	33.50	19.00	17.50
PCV-06-SS-FF	3/8" Female NPT	3/8" Female NPT	60.00	34.00	22.00	
PCV-06-SS-MM	3/8" Male NPT	3/8" Male NPT	62.50	33.50	19.00	
PCV-M10-SS-OD	10mm OD	10mm OD	74.50	33.50	19.00	19.00
PCV-08-SS-OD	1/2" OD	1/2" OD	79.00	34.00	22.00	22.00
PCV-08-SS-FF	1/2" Female NPT	1/2" Female NPT	84.00		32.00	
PCV-08-SS-MM	1/2" Male NPT	1/2" Male NPT	73.00	34.00	22.00	
PCV-08-08-SS-MOD	1/2" Male NPT	1/2" OD	76.00	34.00	22.00	22.00
PCV-08-M12-SS-MOD	1/2" Male NPT	12mm OD	76.00	34.00	22.00	22.00
PCV-M12-SS-OD	12mm OD	12mm OD	79.00	34.00	22.00	22.00
PCV-10-SS-OD	5/8" OD	5/8" OD	106.00	60.00	32.00	25.40
PCV-M16-SS-OD	16mm OD	16mm OD	106.00	60.00	32.00	25.40
PCV-12-SS-OD	3/4" OD	3/4" OD	106.00	60.00	32.00	25.40
PCV-12-SS-FF	3/4" Female NPT	3/4" Female NPT	84.00		35.00	
PCV-12-SS-MM	3/4" Male NPT	3/4" Male NPT	99.00	60.00	32.00	
PCV-12-12-SS-MOD	3/4" Male NPT	3/4" OD	102.50	60.00	32.00	28.50
PCV-16-SS-OD	1" OD	1" OD	118.00	65.00	35.00	38.00
PCV-16-SS-FF	1" Female NPT	1" Female NPT	98.50		40.50	
PCV-16-SS-MM	1" Male NPT	1" Male NPT	115.00	65.00	35.00	
PCV-16-16-SS-MOD	1" Male NPT	1" OD	118.00	65.00	35.00	38.00
PCV-M25-SS-OD	25mm OD	25mm OD	118.00	65.00	35.00	38.00

All dimensions are in millimetres unless otherwise specified. Dimensions are for reference only, Subject to change.



Pressure/Temperature Ratings

Pressure Rating		
316SS	1/8" to 3/4"	5000psig CWP (345 bar)
	1"	3000psig CWP (207 bar)
Brass	1/8" to 1"	3000psig CWP (207 bar)

Orifice 1.078 to 0.656
(2.0mm to 16.7mm)

Cv Factor 0.18 to 6.56

Working-Choice of fixed pressure cracking points from 1/3 to 25 psi (0.02 to 1.75 bar) or as per customers requirements.

Note: Valves may initially crack at higher than subsequent cracking pressure if are not actuated for a period of time.

Working temperatures	
Viton® seal	-15°F to 375°F (-26°C to 190°C)
Fluorocarbon rubber	-15°F to 400°F (-26°C to 204°C)
Buna - N rubber	-30°F to 275°F (-34°C to 135°C)
Neoprene rubber	-45°F to 250°F (-43°C to 121°C)